



# 10A

## SLIP RING COLLECTOR

Slip ring collectors are sets of rings coupled with brushes designed to allow current to pass from a fixed to a rotating part. The 10A series is used mainly on small jib cranes and it has only 4 rings.

### FEATURES

These units are suitable only for transmitting currents with 50/60 Hz supply frequency.

### OPTIONS

Slip ring collectors are available with or without driving slot or with flange.



INDUSTRIAL  
LIFTING



CONSTRUCTION  
LIFTING



INDUSTRIAL  
AUTOMATION

## STANDARDS - MARKINGS - HOMOLOGATIONS

- Conformity to Community Directives:

2006/95/CE: Low Voltage Directive

2006/42/CE: Machinery Directive

- Conformity to Standards:

EN 60204-1 Safety of machinery - Electrical equipment of machines

EN 60309-1 Plugs, socket-outlets and couplers for industrial purposes

- General requirements

EN 60529 Degrees of protection provided by enclosures

- Markings and homologations: **CE**

## GENERAL TECHNICAL SPECIFICATIONS

- Storage ambient temperature: -40°C/+70°C

- Operational ambient temperature: -25°C/+70°C

- Protection degree: IP 00

- Insulation category: Class I

- Operating positions: any position

- Markings and homologations: **CE EAC**

## ELECTRICAL SPECIFICATIONS

- Rated operational current: 10 A

- Rated operational voltage: 400 V

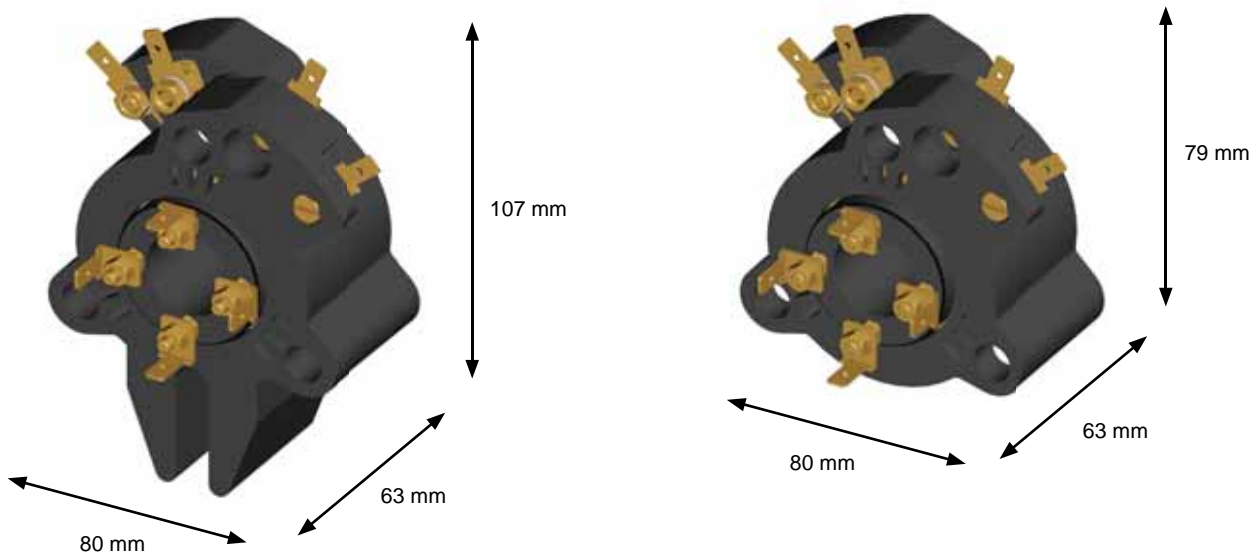
- Rated insulation voltage: 660 V

- Max. speed: 3 rev./min

- Connections: 6.3 mm Faston taps

- Markings and homologations: **CE**

## OVERALL DIMENSIONS



The data and the products illustrated in this brochure may be modified without notice. Under no circumstances can their description have a contractual value.



**TER Tecno Elettrica Ravasi srl**

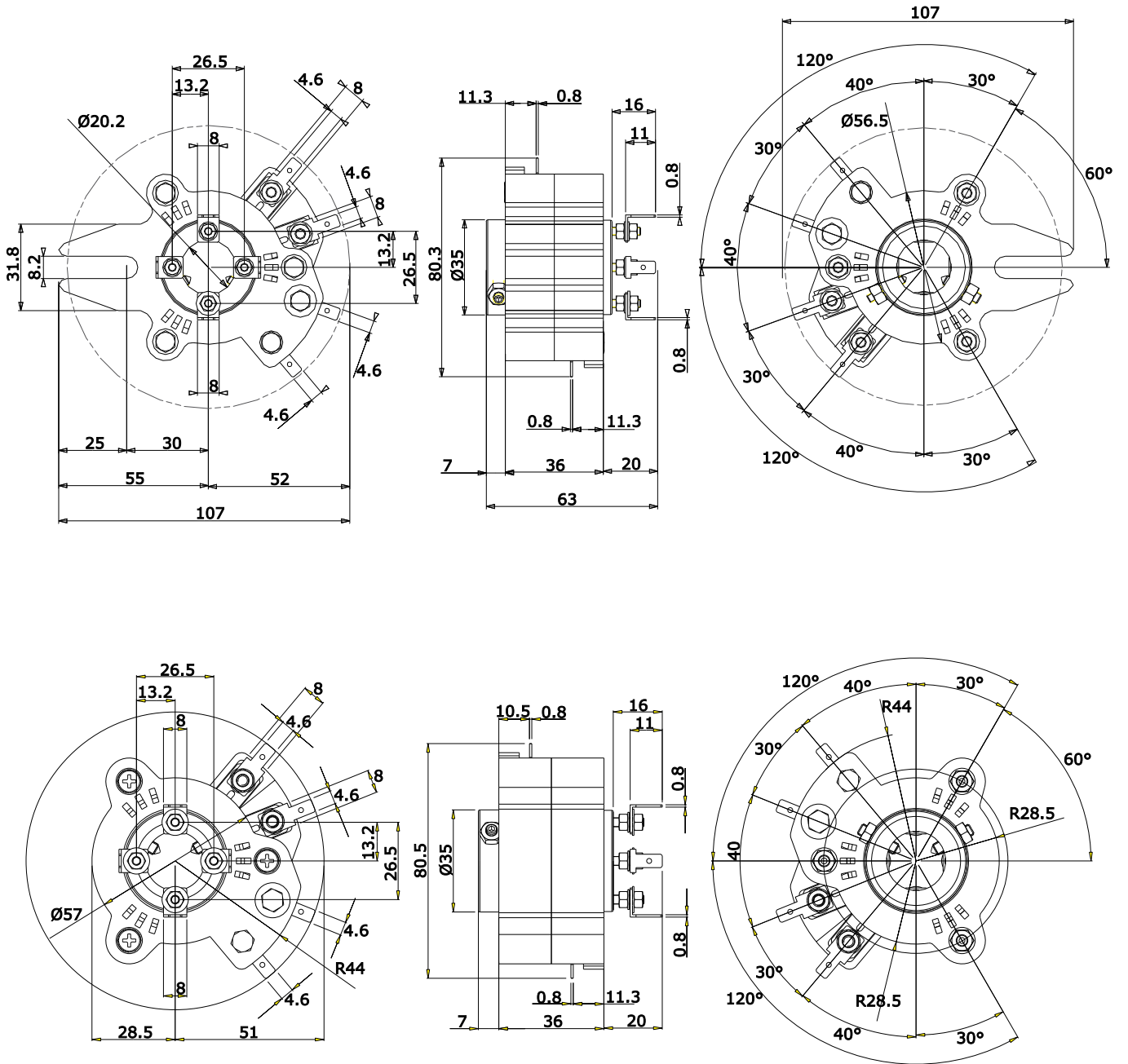
Via Garibaldi 29/31 - 23885 Calco (LC) - Italy

Registered Office - via San Vigilio 2 - 23887 Olgiate Molgora (LC) - Italy

Tel. +39 0399911011 - Fax +39 0399910445 - E-mail: info@terworld.com

[www.terworld.com](http://www.terworld.com)

**OVERALL DIMENSIONS (MM)**



**STANDARD SLIP RING COLLECTORS**

DESCRIPTION	CODE
Slip ring collector with driving slot	PF21270100
Slip ring collector without driving slot	PF21270200
Slip ring collector with $\text{Ø} 40 \times 30$ mm flange	PF21270101

