



JULIET-PK

JOYSTICK STATION

Juliet-PK joystick stations are control devices for all industrial machinery. They operate as auxiliary controllers of electrical motors through a power interface, such as a contactor. Designed for heavy duty use by qualified operators, Juliet-PK are aimed specifically for the industrial market.

DESIGN

Size and shape, resulting from a thorough analysis of the ergonomic features of the product, combined with the research of a graphic style suitable for a modern industrial environment, make Juliet-PK easy to operate.

The equipment has been designed to facilitate maintenance, thus saving on time and costs.

FEATURES

The emergency stop mushroom pushbutton complies with the EN 418 standard and it is equipped with mechanical positive opening NC switches. It has a central position on the joystick station for instinctive use in case of danger.

The variable length carrying strap can be quickly coupled and it can be either fastened around the waist or hung on the shoulder. The aluminium protection has been designed to guarantee maximum comfort when the equipment is used for a long time, and it protects the control elements against accidental operation.

Juliet-PK is available with different labels and colours and it can be supplied with different holes on the enclosure.

MATERIALS

Materials and components are wear resistant and protect the equipment against water and dust.



**INDUSTRIAL
LIFTING**



**CONSTRUCTION
LIFTING**



**INDUSTRIAL
AUTOMATION**



**STAGE
TECHNOLOGY**

STANDARDS - MARKINGS - HOMOLOGATIONS


- Conformity to Community Directives:
2006/95/CE: Low Voltage Directive
2006/42/CE: Machinery Directive
- Conformity to Standards:
EN 60204-1 Safety of machinery - Electrical equipment of machines
EN 60947-1 Low-voltage switchgear and controlgear

- EN 60947-5-1 Low-voltage switchgear and controlgear - Control circuit devices and switching elements - Electromechanical control circuit devices
- EN 60529 Degrees of protection provided by enclosures
- EN 418 Safety of machinery. Emergency stop equipment
- Markings and homologations: **CE**

GENERAL TECHNICAL SPECIFICATIONS

- Storage ambient temperature: -40°C/+70°C
- Operational ambient temperature: -25°C/+70°C
- Protection degree: IP 65
- Insulation category: Class II
- Cable entry: rubber cable sleeve (Ø 14+26 mm)
- Operating positions: any position
- Weight: ~1.5 kg
- Markings and homologations: **CE EAC**

TECHNICAL SPECIFICATIONS OF THE MICROSWITCHES

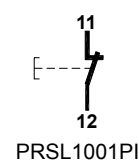
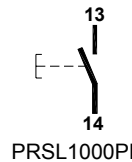
- Utilisation category: AC 15
- Rated operational current: 3 A
- Rated operational voltage: 250 V
- Rated thermal current: 10 A
- Rated insulation voltage: 500 V~
- Mechanical life: 0.5x10⁶ operations
- Terminal referencing: according to EN 50013
- Connections: screw-type terminals
- Wires: 1x2.5 mm², 2x1.5 mm²
(UL - (c)UL: use 60°C or 75°C copper (CU) conductor and wire 16-18 AWG)
- Tightening torque: 0.6 Nm
- Markings and homologations: **CE** 

The single switches PRSL1000PI have 1 NO contact with 2 connecting terminals.

The single switches PRSL1001PI have 1 NC contact with 2 connecting terminals.

All NC contacts are of the positive opening operation type.

The switches have the following reference for internal wiring.



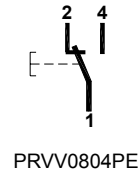
TECHNICAL SPECIFICATIONS OF JULIET MICROSWITCHES

- Utilisation category: AC 15
- Rated operational current: 2 A
- Rated operational voltage: 48 V
- Rated thermal current: 8 A
- Rated insulation voltage: 60 V
- Mechanical life: 0.5x10⁶ operations
- Connections: screw-type terminals
- Wires: 0.14 mm² - 1.5 mm²
- Tightening torque: 0.22 Nm - 0.25 Nm
- Markings and homologations: **CE**

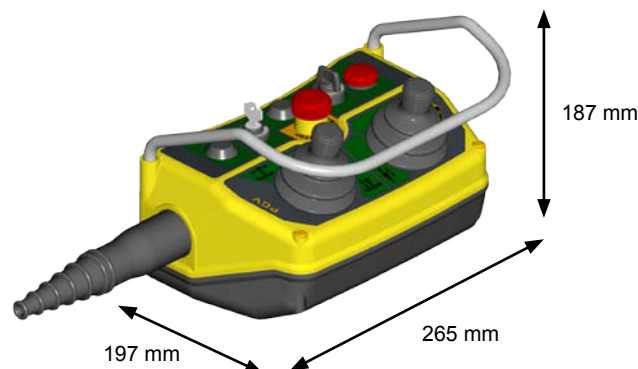
The single switch PRVV0804PE has 1 NO + 1 NC change over contacts.

All NC contacts are of the positive opening operation type.

The switches have the following reference for internal wiring.



OVERALL DIMENSIONS



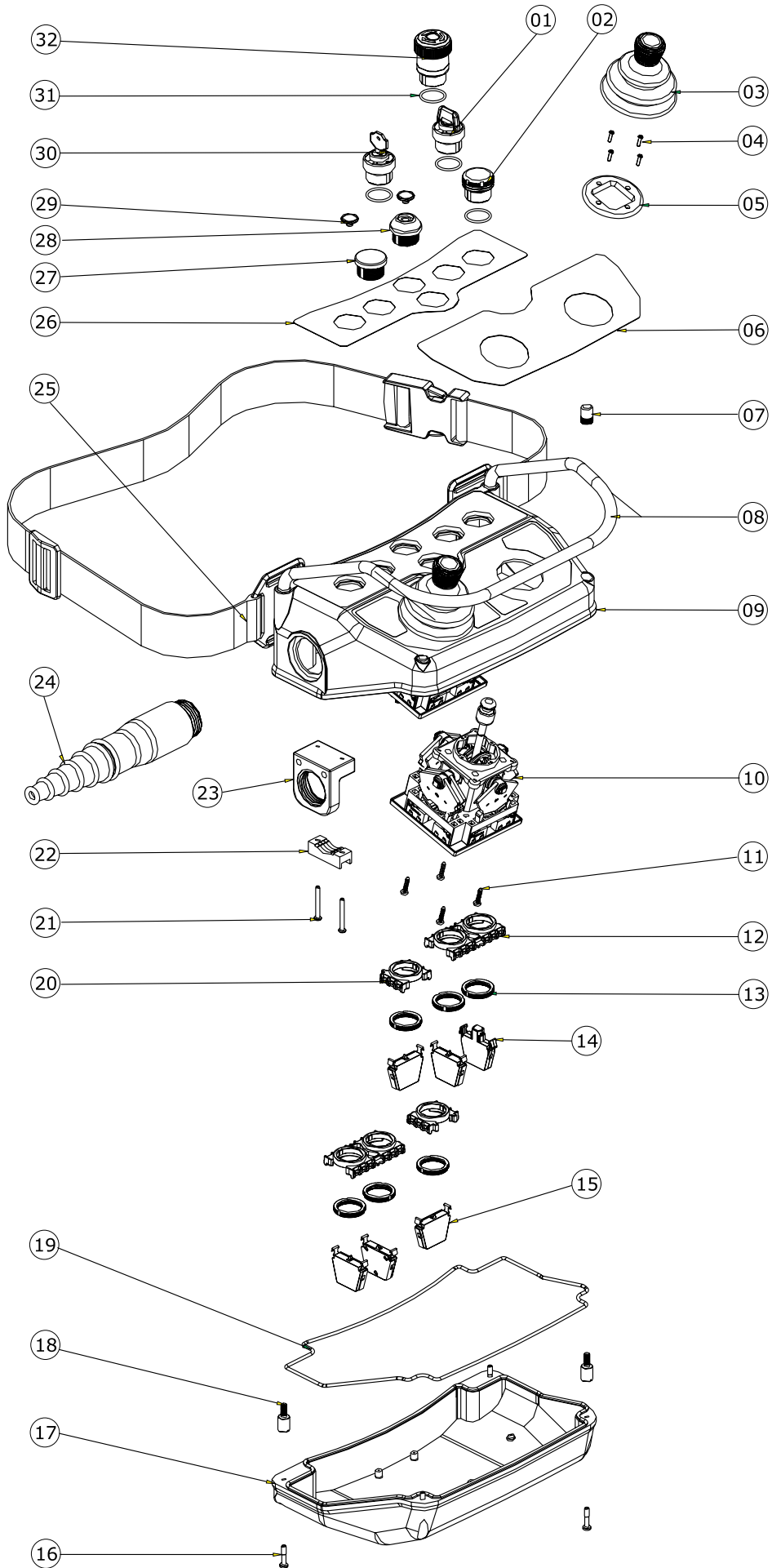
The data and the products illustrated in this brochure may be modified without notice. Under no circumstances can their description have a contractual value.



TER Tecno Elettrica Ravasi srl



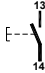
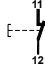
Via Garibaldi 29/31 - 23885 Calco (LC) - Italy
Registered Office - via San Vigilio 2 - 23887 Olgiate Molgora (LC) - Italy
Tel. +39 0399911011 - Fax +39 0399910445 - E-mail: info@terworld.com

www.terworld.com







COMPONENTS


SWITCHES

REF	DRAWING	DESCRIPTION	SCHEME	CODE
14		Lamp holder		PRSL1004PI
15		1 NO switch		PRSL1000PI
		1 NC switch		PRSL1001PI


ACTUATORS

REF	DRAWING	DESCRIPTION	CODE
27+31+13		Blanking plug	PRSL1023PI
12		Holding plate for 2+2 switches	PRSL8735PI
28+29+13		Pushbutton	PRTS000001
20		Holding plate for 3 switches	PRSL8739PI



PILOT LIGHTS

REF	DRAWING	DESCRIPTION	CODE
02+31+13		Red pilot light	PRSL1012PI
		Yellow pilot light	PRSL1013PI
		Green pilot light	PRSL1014PI

MUSHROOM PUSHBUTTONS

REF	DRAWING	DESCRIPTION	CODE
32+31+13		Emergency stop mushroom pushbutton	PRSL1009PI

SELECTOR SWITCHES

REF	DRAWING	DESCRIPTION	CODE
01+31+13		Spring return selector switch (on-off)	PRSL1015PI
		Selector switch (on-off)	PRSL1016PI
		Spring return 3 position selector switch	PRSL1026PI
		3 position selector switch	PRSL1027PI
30+31+13		Key selector switch (on-off)	PRSL1017PI
		Spring return key selector switch	PRSL1024PI
		90° key selector switch	PRSL1056PI

The data and the products illustrated in this brochure may be modified without notice. Under no circumstances can their description have a contractual value.



TER Tecno Elettrica Ravasi srl


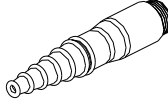
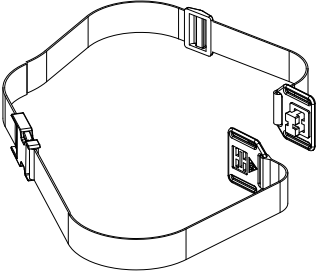
Via Garibaldi 29/31 - 23885 Calco (LC) - Italy

Registered Office - via San Vigilio 2 - 23887 Olgiate Molgora (LC) - Italy

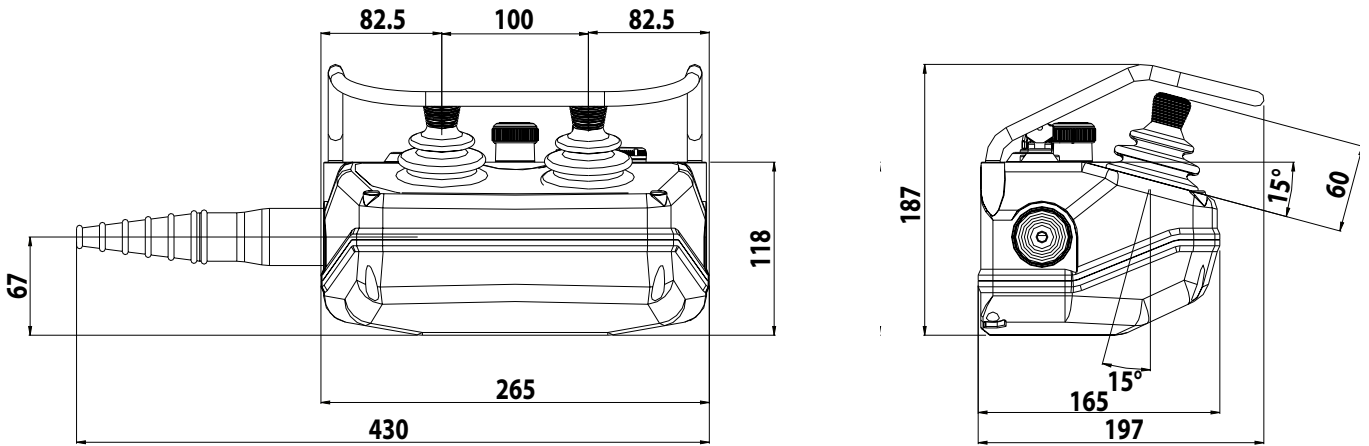
Tel. +39 0399911011 - Fax +39 0399910445 - E-mail: info@terworld.com

www.terworld.com

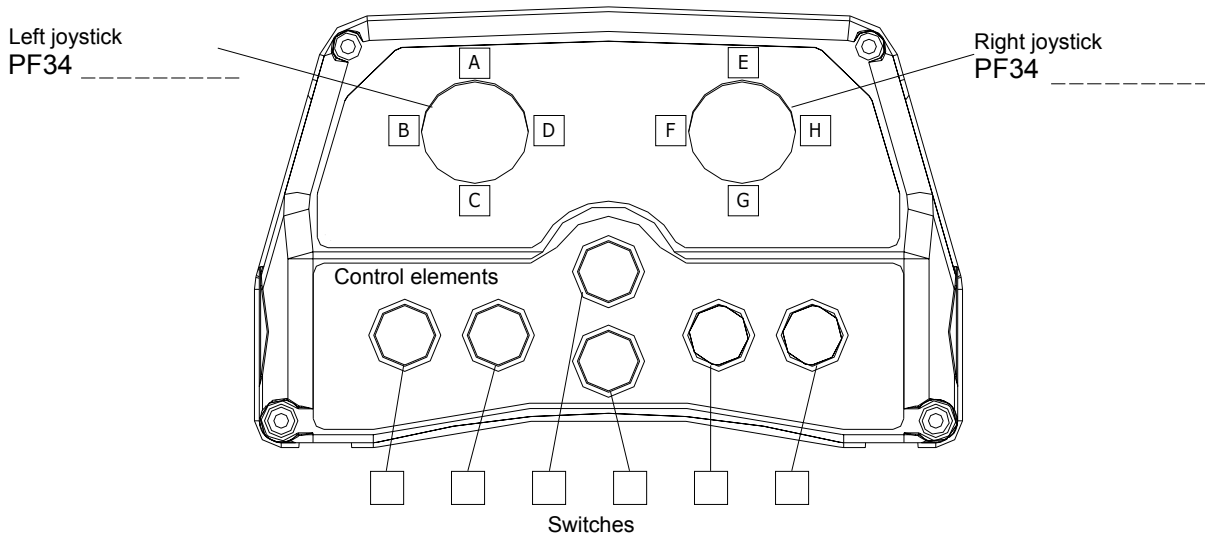
ACCESSORIES

REF	DRAWING	DESCRIPTION	CODE
23		Cable sleeve holder	PRSL9207PI
24		Cable sleeve	PRSL0145PE
25		Waist strap	PRSL0160PE
		Shoulder strap	PRSL0161PE

OVERALL DIMENSIONS (MM)



REMARKS



Symbols and control elements

1	5	8
2	6	9
3	7	10
4		

- 11 PRSL1009PI Mushroom pushbutton
- 12 PRSL1012PI Red pilot light
- 13 PRSL1013PI Yellow pilot light
- 14 PRSL1014PI Green pilot light
- 15 PRSL1015PI Spring return selector switch on-off
- 16 PRSL1016PI Selector switch on-off
- 17 PRSL1017PI Key selector switch on-off
- 18 PRSL1023PI Blanking plug
- 19 PRSL1024PI Spring return key selector switch
- 20 PRSL1026PI Spring return 3 position selector switch
- 21 PRSL1027PI 3 position selector switch
- 22 PRSL1056PI 90° key selector switch

Remarks

Switches

- 1 PRSL1000PI 1NO
- 2 PRSL1001PI 1NC
- 3 PRSL1004PI Lamp holder

Position of cable sleeve

Right

Left

Label

Pos.	Lettering
A	_____
B	_____
C	_____
D	_____
E	_____
F	_____
G	_____
H	_____

Instructions

- Write the code number of the left and right **Juliet joysticks** required.
- Write the number corresponding to the **control element** required in the round boxes on the joystick station scheme.
- Write the number corresponding to the **switches** required in the square boxes.
- Mark the appropriate box to show where the **cable sleeve** must be assembled.
- Write the letterings required for each position on the label.

The data and the products illustrated in this brochure may be modified without notice. Under no circumstances can their description have a contractual value.



